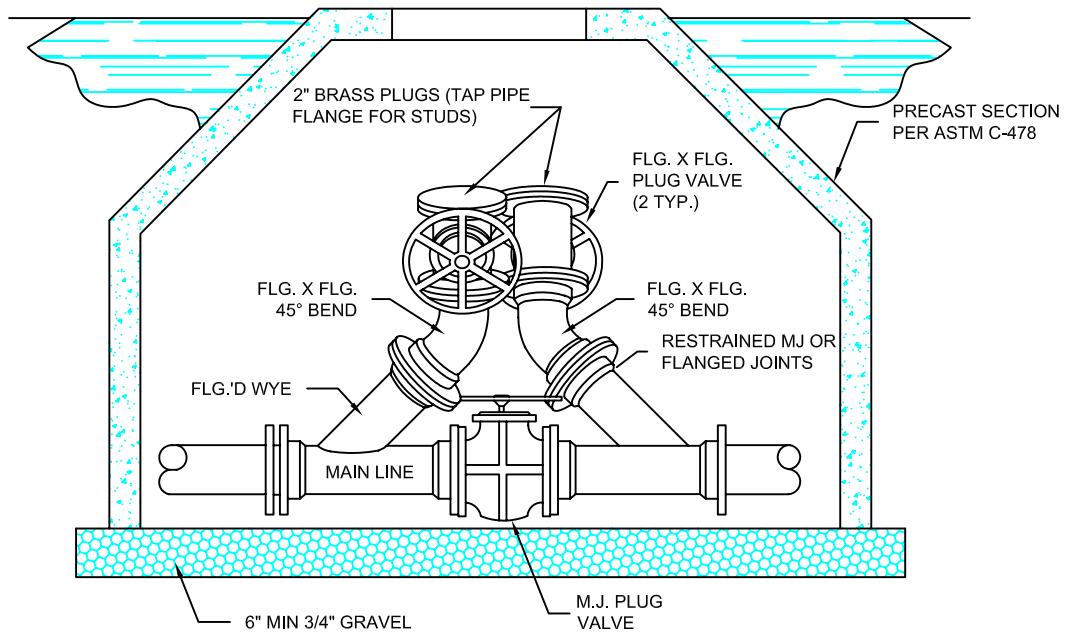


PLAN VIEW



SECTION VIEW

N.T.S.

FORCE MAIN CLEANOUT MANHOLE
JACKSON TOWNSHIP M.U.A.

NO.	DATE REVISED
5	
4	
3	
2	APRIL 2011
1	MARCH 2010
DRAWN FEB 2003	
SHEET	18 OF 20

